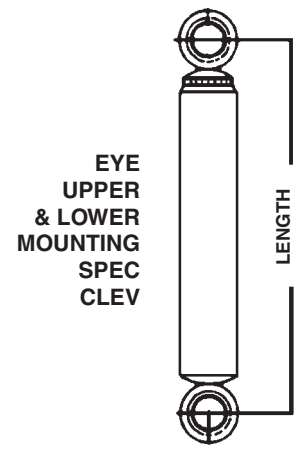
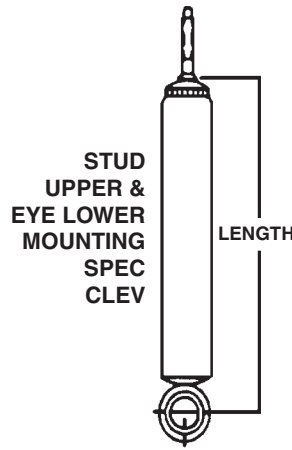
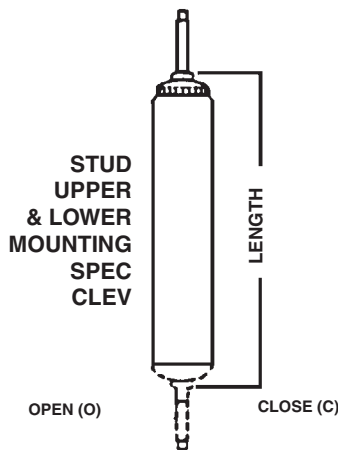
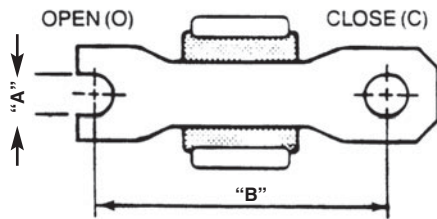


SHOCK SPECIFICATIONS

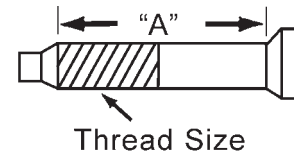


CROSS-PIN MOUNTING CODES



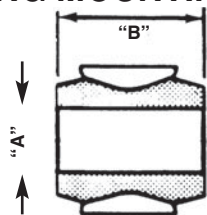
CODE	END	A	B
XP1	O	5/16	2 - 3/16
XP4	C	5/16	2 - 7/16
XP5	C	5/16	2 - 1/2
XP7	C	5/16	2 - 7/8
XP8	O	5/16	3
XP12	O	3/8	3 - 3/16
XP13	C	12MM	2 - 15/16
XP14	C	1/2	3 - 3/8
XP15	C	1/2	3 - 3/4
XP16	CI	3/8	4

STEM MOUNTING CODES



CODE	A	Threads
S12	1 - 3/16	M10
S15	2 - 5/8	10MM
S33	2	3/8 - 24
S34	2 - 1/4	3/8 - 24
S42	2 - 3/8	3/8 - 16
S51	2 - 5/8	1/2 - 13
S61	3 - 5/16	5/8 - 11

BUSHING MOUNTING CODES



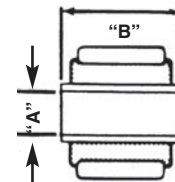
CODE	A	B
L1	5/8	1 - 5/16
L2	11/16	1 - 9/16
L3	3/4	1 - 9/16

Many shocks come with a parts package containing mounting hardware to reduce 5/8" rubber bushing eye to 9/16" or 1/2" allowing for multiple vehicle applications. All mounting code dimensions are approximate and subject to change without notice. RS5000 shocks are 1 3/8" Bore and RS5600 shocks are 1 3/16" Bore.

CLEV = Clevis

Rancho® only engineers its shock absorbers for the applications listed in this catalog. Misapplication of Rancho® shock absorbers will result in reduced handling and braking ability.

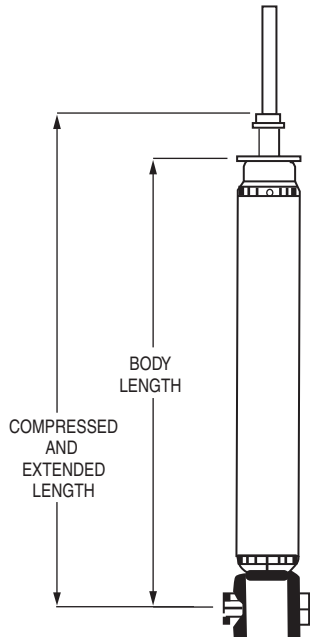
BUSHING & SLEEVE MOUNTING CODES



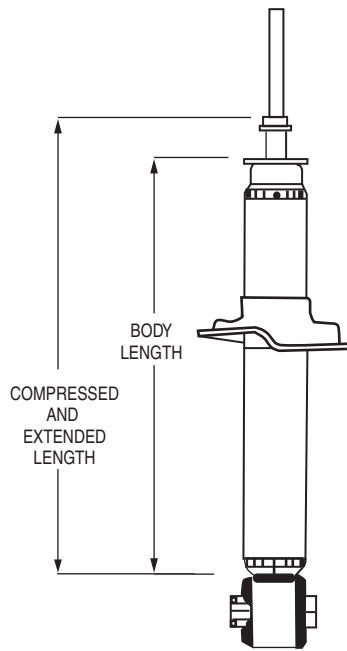
CODE	A	B	CODE	A	B
LS12	7/16	1 - 1/4	LS43	14MM	1 - 9/16
LS21	12MM	1	LS44	14MM	1 - 7/8
LS23	12MM	1 - 1/4	LS47	9/16	1 - 5/8
LS24	12MM	1 - 3/8	LS5	10MM	1 - 7/16
LS25	12MM	1 - 7/16	LS51	5/8 / 16MM	1 - 9/16
LS26	12MM	1 - 1/2	LS52	5/8 / 16MM	1 - 11/16
LS28	12MM	1 - 5/8	LS53	5/8 / 16MM	2
LS29	12MM	1 - 3/4	LS70	3/4	2 - 1/4
LS30	12MM	1 - 7/8	LS74	12MM	1 - 11/16
LS35	1/2	1 - 1/4	LS77	1/2	2 - 7/16
LS36	1/2	1 - 5/16	LS78	9/16	1 - 1/2
LS37	1/2	1 - 3/8	LS82	5/8 / 16MM	1 - 1/2
LS38	1/2	1 - 1/2	LS91	14MM	1 - 3/4
LS39	1/2	1 - 5/8	LS92	14MM	1 - 11/16
LS40	1/2	1 - 11/16	LS93	18MM	3 - 1/4
LS41	1/2	2 - 1/4	LS94	5/8 / 16MM	2 - 3/4
LS42	14MM	1 - 5/16	LS95	20MM	2 - 3/8

Specifications

STRUT BODY TYPES



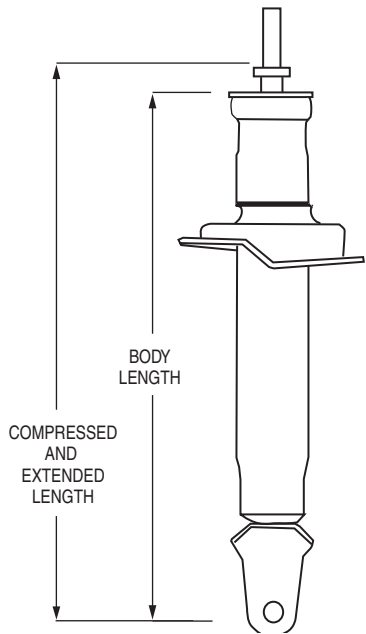
SS1



SS2

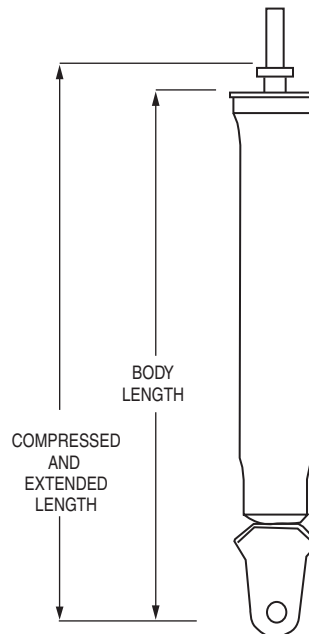
SS3 w/Dirt Shield Not Shown

SS7 w/Cross Pin Lower Mount Not Shown



SS4

SS5 w/Dirt Shield Not Shown



SS6

BODY LENGTH

COMPRESSED AND EXTENDED LENGTH

NOTE:

All Piston Rod Ends are Designed Special For Each Application.

NOTE: Internal extension bumper may reduce perceived extended length by 1/2".
 Extended and collapsed length dimensions shown for RS5000 shocks, others may vary slightly.

PART NO.	MOUNTING CODES		LENGTHS			PARTS PACK
	UPPER	LOWER	COMP.	EXT.	TRAV.	
RANCHO® RS5000 SHOCK ABSORBERS						
RS5001	LS37	LS37	13.250	21.125	7.875	None
RS5005	LS39	L2	17.313	28.938	11.625	None
RS5006	L1	L1	11.750	18.050	6.300	P915, P1057
RS5007	L1	LS26	14.850	24.260	9.410	None
RS5008	L1	L1	13.730	22.020	8.290	P915, P1057
RS5009	S42	LS38	15.688	26.313	10.625	P1134
RS5010	L1	L1	15.870	26.300	10.430	P915, P920, P1057
RS5012	L1	L1	18.980	32.530	13.550	P915, P934
RS5014	S42	S42	14.690	24.890	10.200	Two P1134
RS5017	S42	LS38	15.125	25.250	10.125	P1135
RS5029	S42	LS26	9.620	14.240	4.620	P1135
RS5034	L1	L1	20.040	34.000	13.960	P915, P1013
RS5036	L1	L1	21.100	36.000	14.900	P915, P1013
RS5039	S42	L1	9.630	14.250	4.620	P1013, P1134
RS5040	S42	LS12	13.875	22.313	8.438	P1134
RS5041	S42	LS12	13.250	21.375	8.125	P1134
RS5042	S51	LS47	13.813	20.750	6.937	P1357
RS5043	S51	LS47	15.063	23.250	8.187	P1357
RS5044	S51	LS47	15.813	24.688	8.875	P1357
RS5045	L1	LS26	19.720	33.700	13.980	None
RS5046	L1	LS26	16.420	27.060	10.640	None
RS5047	L1	LS26	18.560	31.340	12.780	None
RS5048	S51	LS92	16.730	26.650	9.920	P1167
RS5056	LS92	LS92	18.790	31.990	13.200	None
RS5111	L2	L2	12.910	20.220	7.310	None
RS5112	L1	L1	16.050	26.260	10.210	None
RS5113	L1	L1	12.911	20.220	7.309	P916
RS5114	L2	L2	15.150	24.550	9.400	P939
RS5115	S42	L1	13.010	20.720	7.710	P910, P1134
RS5116	L1	L1	14.790	24.010	9.220	P916
RS5117	S42	L1	11.920	18.730	6.810	P910, P1134
RS5118	L1	L1	13.960	22.260	8.300	P912, P915, P1013
RS5119	L1	L1	11.710	17.970	6.260	P916, P925
RS5120	L1	LS36	9.813	14.063	4.250	P915, P953
RS5123	LS39	LS39	11.813	18.063	6.250	None
RS5124	XP7	LS47	14.688	23.500	8.812	None
RS5125	L1	LS26	14.040	22.260	8.220	P920
RS5126	L1	LS26	16.040	26.260	10.220	P920
RS5128	S42	XP5	13.000	20.938	7.938	P1136
RS5129	XP12	L1	12.750	20.063	7.313	None
RS5132	L1	L1	15.950	26.260	10.310	Two P911
RS5134	L1	L1	18.940	32.540	13.600	P915, P934
RS5136	S42	L1	11.190	17.340	6.150	P910, P1134
RS5137	S42	L1	15.180	25.860	10.680	P1134
RS5143	L3	L3	15.560	25.270	9.710	P119
RS5144	L3	L3	14.110	22.330	8.220	P119
RS5145	S42	LS82	9.350	13.420	4.070	P1134
RS5147	LS74	LS74	14.610	23.070	8.460	None
RS5150	LS77	LS39	11.563	16.688	5.125	None
RS5151	LS41	LS37	12.188	18.813	6.625	None
RS5152	LS77	LS39	11.563	16.125	4.562	None
RS5157	L3	S51	13.620	21.980	8.360	P967, P1167
RS5158	S42	L3	13.060	20.920	7.860	P120, P1134
RS5159	S12	S12	12.790	21.010	8.220	P969
RS5165	LS26	LS26	13.940	22.310	8.370	None
RS5166	S42	XP5	9.500	13.875	4.375	P1134
RS5167	S42	L1	10.190	15.210	5.020	P1134
RS5168	S42	LS38	15.250	25.250	10.000	P1135
RS5179	S42	L1	13.870	22.260	8.390	P920, P1135
RS5180	L3	L3	13.630	21.450	7.820	P119
RS5181	XP8	LS39	14.063	22.313	8.250	None
RS5185	XP7	LS26	15.220	25.370	10.150	P941
RS5186	S42	L1	13.430	21.650	8.220	P1134

Specifications

All listed specifications are for convenience only and are subject to change without notice. Specifications are not intended for design of custom applications.

NOTE: Internal extension bumper may reduce perceived extended length by 1/2".
Extended and collapsed length dimensions shown for RS5000 shocks, others may vary slightly.

PART NO.	MOUNTING CODES		LENGTHS			PARTS PACK
	UPPER	LOWER	COMP.	EXT.	TRAV.	
RANCHO® RS5000 SHOCK ABSORBERS — Continued						
RS5187	S42	L3	12.690	19.810	7.120	P120, P1134
RS5188	S42	LS23	8.688	12.875	4.187	P1134
RS5190	XP7	LS47	16.000	26.375	10.375	None
RS5193	XP7	LS47	14.188	23.000	8.812	None
RS5194	L1	LS25	14.438	23.313	8.875	None
RS5195	S51	LS47	9.563	13.938	4.375	P1167
RS5197	S51	LS47	13.813	22.063	8.250	P1167
RS5198	LS47	LS47	15.650	25.400	9.750	None
RS5199	S42	XP8	9.000	13.500	4.500	P1135
RS5201	S42	S42	11.580	18.570	6.990	Two P1135
RS5202	L3	L3	14.700	23.640	8.940	P575
RS5203	L1	LS82	12.563	19.250	6.687	None
RS5205	L1	L1	14.020	22.410	8.390	None
RS5207	S51	S51	14.310	23.380	9.070	Two P1167
RS5208	S51	L3	13.960	22.690	8.730	P120, P1167
RS5213	S42	LS82	11.813	18.500	6.687	P1134
RS5214	S42	LS35	9.680	14.300	4.620	P1134
RS5215	LS78	L3	12.830	19.770	6.940	P120
RS5221	S51	LS47	14.500	23.688	9.188	P1167
RS5222	S42	XP5	9.050	13.810	4.760	P1134
RS5223	S42	LS24	9.188	13.125	3.937	P1134
RS5226	L3	L3	13.070	20.320	7.250	P119
RS5227	XP7	LS47	17.500	29.000	11.500	None
RS5229	S42	XP4	13.938	18.375	4.437	P941, P1135
RS5233	S42	LS39	10.030	14.460	4.430	P1136
RS5234	S42	LS26	15.813	27.063	11.250	P1135
RS5235	S51	XP5	10.400	15.020	4.620	P1167
RS5236	S42	LS26	14.438	24.063	9.625	P1135
RS5237	S42	LS39	11.760	18.020	6.260	P1136
RS5238	S42	LS26	16.563	28.563	12.000	P1136
RS5239	S42	XP4	14.430	23.840	9.410	P1136
RS5240	XP12	LS37	12.938	20.125	7.187	P920
RS5241	XP12	LS37	13.688	21.688	8.000	P920
RS5244	LS77	LS39	13.563	21.750	8.187	None
RS5246	LS26	LS26	14.280	23.030	8.750	None
RS5248	LS28	LS28	15.520	24.720	9.200	None
RS5251	S42	LS43	15.813	27.063	11.250	P1134
RS5254	L1	LS26	18.280	30.820	12.540	None
RS5255	S42	XP4	15.690	26.420	10.730	P1136
RS5256	XP12	LS37	15.063	24.688	9.625	P920
RS5259	L1	LS25	13.520	21.570	8.050	None
RS5260	LS29	LS25	13.563	21.625	8.062	None
RS5261	L1	LS26	19.188	32.938	13.750	None
RS5262	LS47	LS47	15.125	23.938	8.813	None
RS5263	S42	XP5	9.930	14.480	4.550	P1135
RS5264	L1	LS53	15.438	24.438	9.000	None
RS5265	S42	CLEV	10.950	15.390	4.440	P1135
RS5267	L1	LS53	14.438	22.875	8.437	None
RS5268	S42	CLEV	13.860	20.880	7.020	P1269
RS5269	LS47	LS47	17.000	27.625	10.625	None
RS5272	S51	L1	10.310	15.050	4.740	None
RS5273	L1	LS53	16.813	28.188	11.375	None
RS5274	LS47	LS47	16.250	26.500	10.250	None
RS5279	S51	XP12	10.813	16.500	5.687	P1167
RS5281	S51	XP12	9.625	14.250	4.625	P1167
RS5282	S51	LS47	11.063	16.688	5.625	P1167
RS5283	S51	LS47	12.563	19.875	7.312	P1167
RS5284	LS29	LS28	14.160	22.310	8.150	None
RS5285	LS39	LS39	15.390	24.950	9.560	None
RS5286	LS39	LS39	16.470	27.220	10.750	None
RS5287	LS39	LS39	18.580	30.560	11.980	None
RS5288	S51	LS42	11.000	15.390	4.390	P1167
RS5289	S51	LS42	14.000	21.360	7.360	P1167

Rancho® only engineers its shock absorbers for the applications listed in this catalog. Misapplication of Rancho® shock absorbers will result in reduced handling and braking ability and voids warranty. Product Specifications Subject To Change Without Notice.

NOTE: Internal extension bumper may reduce perceived extended length by 1/2".
 Extended and collapsed length dimensions shown for RS5000 shocks, others may vary slightly.

PART NO.	MOUNTING CODES		LENGTHS			PARTS PACK
	UPPER	LOWER	COMP.	EXT.	TRAV.	
RANCHO® RS5000 SHOCK ABSORBERS — Continued						
RS5295	S51	LS42	10.440	15.270	4.830	P1167
RS5296	S51	LS42	13.440	21.690	8.250	P1167
RS5297	LS47	LS47	18.063	30.438	12.375	None
RS5298	LS38	LS38	11.020	17.060	6.040	None
RS5299	XP7	LS47	13.650	20.890	7.240	None
RS5300	S42	LS21	10.290	14.610	4.320	P1134
RS5301	XP7	LS47	14.710	23.000	8.290	None
RS5304	LS92	LS91	16.500	27.250	10.750	None
RS5308	XP11	LS47	15.375	24.000	8.625	None
RS5315	LS74	LS74	14.840	24.050	9.210	None
RS5317	S51	LS47	18.063	29.000	10.937	P1357
RS5319	S42	LS23	13.940	22.490	8.550	P1134
RS5324	S51	LS38	14.800	24.400	9.600	P1167
RS5325	XP7	LS47	14.940	23.920	8.980	None
RS5326	S51	LS38	14.030	21.850	7.820	P1167
RS5327	XP12	LS38	14.000	21.313	7.313	None
RS5328	XP12	LS38	14.563	22.563	8.000	None
RS5329	S51	LS38	15.520	25.050	9.530	P1167
RS5330	XP12	LS38	16.000	25.688	9.688	None
RS5331	S51	LS38	16.080	27.150	11.070	P1167
RS5332	XP12	LS38	16.875	28.250	11.375	None
RS5358	S6	LS78	11.470	17.430	5.960	P1482
RS5359	S6	LS54	14.230	23.020	8.790	P1482
RS5367	LS47	LS47	16.410	25.510	9.100	None
RS5368	S51	XP12	9.563	13.938	4.375	P1167
RS5369	LS47	LS47	17.210	28.220	11.010	None
RS5370	S51	LS42	10.840	16.320	5.480	P1167
RS5371	S42	CLEV	11.200	16.340	5.140	P1135
RS5372	S42	LS38	10.270	15.400	5.130	P1135
RS5373	S51	LS92	11.010	16.840	5.830	P1167
RS5374	S42	XP5	14.140	19.280	5.140	P1135, P941
RS5375	S42	LS21	10.270	15.560	5.290	P1135
RS5376	S51	CLEV	13.550	16.210	2.660	P1167
RS5377	SP	CLEV	13.660	17.950	4.290	P1299
RS5378	SP	CLEV	14.670	18.960	4.290	P1299
RS5379	LS47	LS47	16.120	25.310	9.190	None
RS5380	XP15	CLEV	16.680	22.950	6.270	P1617
RS5381	LS47	LS47	17.990	29.330	11.340	None
RS5382	XP15	CLEV	18.310	24.590	6.280	P1617
RS5383	LS47	LS47	19.370	31.120	11.750	None
RS5384	LS38	LS38	18.460	28.650	10.190	None
RS5385	LS38	XP5	16.770	28.200	11.430	None
RS5386	LS34	LS39	14.580	23.070	8.490	None
RS5387	LS34	LS39	14.580	23.070	8.490	None
RS5388	LS30	LS23	10.840	15.730	4.890	None
RS5389	LS30	LS28	14.870	23.750	8.880	None
RS5390	LS52	LS30	14.580	23.230	8.650	None
RS5391	LS28	LS52	15.100	24.210	9.110	None
RS5392	S4	LS23	8.300	11.870	3.570	P1135
RS5393	L1	L1	13.890	22.560	8.670	None
RS5394	LS44	LS47	15.090	24.190	9.100	None
RS5395	LS52	LS53	14.460	22.950	8.490	None
RS5396	LS44	LS44	11.840	17.590	5.750	None
RS5397	LS68	S5	14.090	22.090	8.000	P1167
RS5398	LS30	LS38	15.190	24.430	9.240	None
RS5601	L1	L1	12.310	19.750	7.440	None
RS5602	S42	XP1	8.938	13.438	4.500	P1134
RS5604	L1	S42	11.860	19.300	7.440	P1134
RS5605	S42	LS23	8.875	13.813	4.938	P1134
RS5606	S42	LS38	9.700	15.000	5.300	P1135
RS5609	S42	XP5	9.140	14.370	5.230	P1134
RS5610	S42	LS21	11.500	18.438	6.938	P1134

Specifications

All listed specifications are for convenience only and are subject to change without notice. Specifications are not intended for design of custom applications.

NOTE: Internal extension bumper may reduce perceived extended length by 1/2".
Extended and collapsed length dimensions shown for RS5000 shocks, others may vary slightly.

PART NO.	MOUNTING CODES		LENGTHS			PARTS PACK
	UPPER	LOWER	COMP.	EXT.	TRAV.	
RANCHO® RS5000 STEERING DAMPERS						
RS5401	L1	L1	12.270	19.450	7.180	P829, P837, P920
RS5402	S42	S42	12.230	20.250	8.020	Two P1134
RS5403	S42	S42	13.220	22.250	9.030	Two P1134
RS5404	L1	L1	14.520	23.960	9.440	P837, P920, P932
RS5405	S42	L1	12.780	21.700	8.920	P1134
RS5406	L1	L1	17.770	30.370	12.600	None
RS5407	L1	LS37	11.940	19.500	7.560	P837, P953
RS5409	LS5	LS24	12.813	20.750	7.937	P1326
RS5410	L1	LS38	14.470	24.390	9.920	P847
RS5411	L1	LS35	12.480	20.590	8.110	P1368
RS5412	L1	LS24	14.188	23.375	9.187	P1368
RS5413	S42	L1	15.620	27.400	11.780	P1135, P1385
RS5415	LS38	L1	16.080	27.860	11.780	P1385
RS5416	LS37	LS24	14.150	23.360	9.210	None
RS5417	L1	LS35	13.660	22.960	9.300	P1368
RANCHO® RS7000MT SHOCK ABSORBERS MONOTUBE						
RS7008	L1	L1	13.770	21.470	7.700	P915, P1057
RS7034	L1	L1	20.790	34.710	13.930	P915, P1013
RS7040	S4	LS23	13.860	21.950	8.090	P1134
RS7043	S5	LS47	13.980	22.070	8.090	P1167
RS7044	LS92	S5	14.600	23.280	8.680	P1167
RS7050	L1	LS26	16.840	27.100	10.260	None
RS7061	S4	XP11	17.380	28.210	10.830	P1134
RS7062	XP12	LS37	15.580	24.860	9.270	None
RS7112	L1	L1	16.190	25.850	9.670	P913, P915
RS7113	LS49	LS49	13.420	20.730	7.310	P916
RS7118	L1	L1	14.230	22.320	8.090	P912, P915, P913
RS7128	S4	XP5	13.510	21.210	7.700	P941
RS7129	XP6	LS49	13.620	21.120	7.500	None
RS7168	S4	LS38	15.730	25.390	9.670	P1135
RS7198	LS43	LS43	16.500	25.390	8.980	None
RS7239	S4	XP11	14.920	24.000	9.080	P1136
RS7240	XP6	LS37	12.390	18.910	6.520	None
RS7241	XP6	LS37	14.210	22.300	8.090	None
RS7254	L1	LS26	18.320	29.760	11.440	None
RS7256	XP12	LS37	15.580	24.860	9.270	None
RS7261	L1	LS26	19.550	32.400	12.850	None
RS7264	L1	LS26	15.480	24.560	9.080	None
RS7267	LS49	LS38	14.650	23.130	8.490	None
RS7268	S4	SPEC	13.750	20.850	7.110	P1135
RS7269	LS47	LS47	17.570	27.820	10.260	None
RS7274	LS47	LS47	16.370	26.040	9.670	None
RS7295	S5	LS36	10.600	15.630	5.020	P1167
RS7296	S5	LS42	13.430	21.130	7.700	P1167
RS7297	LS47	LS47	18.260	29.700	11.440	None
RS7317	S5	LS52	17.600	28.710	11.100	P1167
RS7326	S5	LS38	14.730	23.580	8.850	P1167
RS7328	XP6	LS38	15.160	24.010	8.850	None
RS7330	XP12	LS38	16.930	27.190	10.260	None
RS7331	S5	LS58	16.500	26.760	10.260	P1167
RS7370	S5	LS42	11.150	16.600	5.440	P1167
RS7371	S4	CLEV	11.470	16.500	5.020	P1135
RS7388	L1	L1	18.020	29.460	11.440	None
RS7391	S5	L1	12.300	19.020	6.720	P1192
RANCHO® RS9000XL PRO SERIES SHOCK ABSORBERS						
RS19012	L1	L1	19.310	32.280	12.970	P915, P934
RS19034	L1	L1	20.160	34.000	13.840	P915, P1013
RS19036	L1	L1	21.180	36.110	14.930	P915, P1013

Rancho® only engineers its shock absorbers for the applications listed in this catalog. Misapplication of Rancho® shock absorbers will result in reduced handling and braking ability and voids warranty. Product Specifications Subject To Change Without Notice.

NOTE: Internal extension bumper may reduce perceived extended length by 1/2".
 Extended and collapsed length dimensions shown for RS5000 shocks, others may vary slightly.

PART NO.	MOUNTING CODES		LENGTHS			PARTS PACK
	UPPER	LOWER	COMP.	EXT.	TRAV.	
RANCHO® RS9000XL SHOCK ABSORBERS						
RS999001	L1	L1	13.680	20.830	7.150	P816, P976
RS999005	L1	L2	17.625	28.688	11.063	P934
RS999006	L1	L1	11.870	17.330	5.460	P915, P927, P1057
RS999008	L1	L1	14.060	21.480	7.420	P920, P1020
RS999009	S42	LS38	16.125	26.125	10.000	P1192
RS999010	L1	L1	16.330	26.010	9.680	P920, P1057
RS999012	L1	L1	19.410	32.290	12.880	P915, P934
RS999014	S42	S42	15.170	24.580	9.410	Two P1192
RS999017	S42	L1	15.660	25.150	9.490	P829, P1192
RS999028	L1	L1	17.250	27.960	10.710	P915, P934
RS999029	S42	LS26	10.375	14.500	4.125	P1192
RS999034	L1	L1	20.270	34.010	13.740	P915, P1013
RS999036	L1	L1	21.330	36.130	14.800	P915, P1013
RS999039	S42	L1	10.340	14.500	4.160	P1013, P1192
RS999040	S42	LS23	14.250	22.313	8.063	P1192
RS999042	S51	LS47	13.950	20.610	6.660	P1356
RS999043	S51	LS47	15.200	23.110	7.910	P1356
RS999044	S51	LS47	15.950	24.600	8.650	P1356
RS999045	L1	LS26	19.938	33.313	13.375	None
RS999046	L1	LS26	16.688	26.813	10.125	None
RS999047	L1	LS26	18.875	31.250	12.375	None
RS999048	S51	LS47	16.920	26.540	9.620	P1356
RS999050	L1	LS26	18.125	29.250	11.125	None
RS999055	S51	LS42	17.625	23.063	5.438	P1271
RS999056	LS47	LS47	19.490	32.270	12.780	None
RS999057	S42	CLEV	15.063	23.000	7.937	P1192
RS999058	LS47	LS47	18.240	29.740	11.500	None
RS999059	LS77	LS39	15.688	24.375	8.687	None
RS999060	XP7	LS47	18.563	30.500	11.937	None
RS999061	S42	XP5	16.500	26.688	10.188	P1270
RS999062	XP12	LS24	16.000	25.250	9.250	None
RS999112	L1	L1	16.250	25.960	9.710	P913, P915, P1013
RS999113	L1	L1	13.280	20.030	6.750	P916
RS999114	L2	L2	15.438	24.313	8.875	P939
RS999115	S42	L1	13.320	20.570	7.250	P910, P1192
RS999116	L1	L1	15.140	23.750	8.610	P916, P1013
RS999117	S42	L1	12.370	18.670	6.300	P910, P1192
RS999118	L1	L1	14.360	22.190	7.830	P910, P912, P1013
RS999119	L1	L1	11.930	17.330	5.400	P916
RS999120	L1	L1	9.910	13.440	3.530	P915, P916
RS999123	LS39	LS39	11.680	17.350	5.670	None
RS999124	XP7	LS47	15.250	23.750	8.500	None
RS999126	L1	LS26	16.375	26.063	9.688	None
RS999128	S42	XP5	13.438	20.500	7.062	P941, P1270
RS999129	XP12	L1	13.313	19.875	6.562	None
RS999136	S42	L1	11.490	16.800	5.310	P910, P1013, P1192
RS999143	L3	L3	16.050	25.060	9.010	None
RS999144	L3	L3	14.430	21.880	7.450	None
RS999145	S42	LS82	9.740	13.300	3.560	P1192
RS999147	LS74	LS74	15.063	23.063	8.000	None
RS999150	LS77	LS39	11.688	16.625	4.937	None
RS999151	LS37	LS37	12.625	18.500	5.875	P976
RS999152	LS77	LS39	12.250	17.875	5.625	None
RS999157	LS66	S51	14.250	22.000	7.750	P967, P1271
RS999158	S42	L3	13.560	20.760	7.200	P1192
RS999159	S42	S42	13.250	20.920	7.670	P969
RS999165	L1	L1	14.650	22.250	7.600	P1059
RS999166	S42	XP5	10.000	13.750	3.750	P1192
RS999168	S42	LS38	15.650	25.230	9.580	P1192
RS999179	S42	L1	14.250	22.310	8.060	P974, P1192
RS999180	L3	L3	14.120	21.120	7.000	None
RS999185	XP7	LS26	16.330	26.010	9.680	P941
RS999186	S42	L1	13.310	20.410	7.100	P974, P1192

Specifications

All listed specifications are for convenience only and are subject to change without notice. Specifications are not intended for design of custom applications.

NOTE: Internal extension bumper may reduce perceived extended length by 1/2".
Extended and collapsed length dimensions shown for RS5000 shocks, others may vary slightly.

PART NO.	MOUNTING CODES		LENGTHS			PARTS PACK
	UPPER	LOWER	COMP.	EXT.	TRAV.	
RANCHO® RS9000XL SHOCK ABSORBERS — Continued						
RS999187	S42	L3	13.510	20.510	7.000	P1192
RS999188	S42	LS23	9.000	12.370	3.370	P1192
RS999190	XP7	LS47	16.490	26.340	9.850	None
RS999194	L1	LS25	14.850	23.070	8.220	None
RS999195	S51	LS47	10.130	13.800	3.670	P1271
RS999197	S51	LS47	14.350	21.900	7.550	P1271
RS999198	LS47	LS47	15.910	25.080	9.170	None
RS999201	S42	S42	12.100	18.450	6.350	Two P1192
RS999202	L3	L3	15.270	23.570	8.300	P888
RS999204	S42	S42	11.830	17.880	6.050	Two P1192
RS999207	S51	S51	14.670	23.340	8.670	Two P1271
RS999208	S51	L3	14.840	23.200	8.360	P1271
RS999213	S42	LS82	12.250	18.125	5.875	P1192
RS999214	S42	LS23	10.340	14.500	4.160	P1192
RS999215	LS78	L3	13.188	19.250	6.062	None
RS999221	S51	LS47	15.300	23.800	8.500	P1271
RS999223	S42	LS24	9.610	13.020	3.410	P1192
RS999226	L3	L3	13.220	19.740	6.520	None
RS999227	XP7	LS47	16.940	27.230	10.290	None
RS999229	S42	XP5	14.060	18.010	3.950	P941, P1192
RS999233	S51	LS39	10.350	14.400	4.050	P1271
RS999234	S42	LS26	16.530	26.990	10.460	P1192
RS999235	S51	XP7	10.750	14.900	4.150	P1271
RS999236	S42	LS26	14.780	23.890	9.110	P1192
RS999237	S51	LS39	12.170	18.030	5.860	P1271
RS999238	S42	LS26	17.370	28.660	11.290	P1192
RS999239	S42	XP7	14.640	23.090	8.450	P1192
RS999240	XP12	LS24	12.875	19.250	6.375	None
RS999241	XP12	LS24	13.750	21.000	7.250	None
RS999244	LS77	LS40	14.310	21.760	7.450	None
RS999248	LS28	LS28	15.370	23.970	8.600	None
RS999250	S4	LS23	10.000	14.320	4.320	P1192
RS999254	L1	LS26	18.520	30.510	11.990	None
RS999255	S42	XP7	16.110	25.970	9.860	P1270
RS999256	XP12	LS24	15.313	24.188	8.875	None
RS999259	L1	LS25	14.060	21.480	7.420	None
RS999260	LS29	LS25	14.060	21.480	7.420	None
RS999261	L1	LS26	19.500	32.460	12.960	None
RS999262	LS47	LS47	15.280	23.830	8.550	None
RS999263	S42	XP7	10.340	14.400	4.060	P1192
RS999264	L1	LS26	15.700	24.340	8.640	None
RS999265	S42	CLEV	11.180	15.280	4.100	P1192
RS999266	XP7	LS26	17.310	28.080	10.770	None
RS999267	L1	LS26	14.650	22.250	7.600	None
RS999268	S42	CLEV	13.930	20.780	6.850	P1192
RS999269	LS47	LS47	17.030	27.320	10.290	None
RS999272	S51	L1	10.580	15.050	4.470	P1271
RS999273	L1	LS26	17.250	27.960	10.710	None
RS999274	LS47	LS47	16.520	26.300	9.780	None
RS999275	XP7	LS26	19.540	32.820	13.280	None
RS999276	S51	LS47	12.020	17.440	5.420	P1271
RS999278	XP7	LS26	15.640	25.100	9.460	None
RS999279	S51	XP8	11.220	16.380	5.160	P1356
RS999280	S51	LS47	13.875	20.938	7.063	P1271
RS999281	S51	XP8	9.910	14.100	4.190	P1271
RS999282	S51	LS47	11.688	16.500	4.812	P1271
RS999283	S51	LS47	13.375	19.938	6.563	P1271
RS999284	LS29	LS28	14.350	22.050	7.700	None
RS999285	LS38	LS38	15.875	24.938	9.063	None
RS999286	LS39	LS39	17.563	28.313	10.750	None
RS999287	LS39	LS39	18.625	30.500	11.875	None
RS999288	S51	LS42	10.890	15.210	4.320	P1271
RS999289	S51	LS42	13.930	21.230	7.300	P1271

Rancho® only engineers its shock absorbers for the applications listed in this catalog. Misapplication of Rancho® shock absorbers will result in reduced handling and braking ability and voids warranty. Product Specifications Subject To Change Without Notice.

NOTE: Internal extension bumper may reduce perceived extended length by 1/2".
 Extended and collapsed length dimensions shown for RS5000 shocks, others may vary slightly.

PART NO.	MOUNTING CODES		LENGTHS			PARTS PACK
	UPPER	LOWER	COMP.	EXT.	TRAV.	
RANCHO® RS9000XL SHOCK ABSORBERS — Continued						
RS999290	L3	S42	9.770	13.730	3.960	P1016, P1192
RS999291	S4	XP7	9.800	13.970	4.170	P1192
RS999292	L3	S42	9.600	13.420	3.820	P1016, P1192
RS999293	L3	S42	13.270	20.740	7.470	P1192
RS999294	S4	LS23	11.370	17.030	5.660	P1192
RS999295	S51	LS42	10.730	15.260	4.530	P1271
RS999296	S51	LS42	13.920	21.650	7.730	P1271
RS999297	LS47	LS47	18.625	30.500	11.875	None
RS999299	XP7	LS47	13.688	20.938	7.250	None
RS999300	S42	LS21	10.310	14.460	4.150	P1132
RS999301	XP7	LS47	14.688	23.000	8.312	None
RS999303	LS47	LS44	15.438	24.125	8.687	None
RS999304	LS47	LS44	17.000	27.250	10.250	None
RS999305	S51	LS68	14.530	22.490	7.960	P1356
RS999306	LS44	LS44	12.210	17.700	5.490	None
RS999307	S51	CLEV	11.130	15.280	4.150	None
RS999308	XP5	LS47	15.250	23.500	8.250	None
RS999309	S51	CLEV	15.020	19.400	4.380	P1356
RS999310	XP5	LS92	17.790	27.570	9.780	None
RS999311	L1	LS47	13.688	21.125	7.437	None
RS999312	LS44	LS44	10.460	14.670	4.210	None
RS999313	L1	LS47	12.688	19.188	6.500	None
RS999314	L1	LS47	13.125	20.063	6.938	None
RS999317	S51	LS47	18.063	28.813	10.750	P1356
RS999318	S4	LS23	10.580	15.420	4.840	P1192
RS999319	S42	LS23	14.050	22.430	8.380	P1192
RS999320	S42	LS23	13.150	20.360	7.210	P1193
RS999321	SPEC	LS27	15.188	23.563	8.375	None
RS999322	S42	LS23	10.140	14.650	4.510	P1192
RS999323	L1	L3	14.110	21.920	7.810	None
RS999324	S51	LS39	15.500	24.688	9.188	P1356
RS999326	S51	LS38	13.938	21.813	7.875	P1356
RS999327	XP8	LS39	13.875	21.188	7.313	None
RS999328	XP6	LS38	14.690	23.140	8.450	None
RS999329	S5	LS38	15.660	25.280	9.620	P1356
RS999330	XP6	LS38	16.110	26.010	9.900	None
RS999331	S5	LS38	16.600	27.320	10.720	P1356
RS999332	XP8	LS38	16.813	27.250	10.437	None
RS999333	L1	L1	15.190	24.330	9.140	P916, P1013
RS999334	L1	S4	12.360	19.180	6.820	P910, P1134
RS999335	L1	L1	11.830	17.650	5.820	P916
RS999336	L1	S4	11.460	17.360	5.900	P910, P1013
RS999337	S4	LS3	9.000	12.370	3.370	P1192
RS999338	L1	L1	12.810	19.930	7.120	P829
RS999339	S4	S4	13.510	22.190	8.680	P1136
RS999340	LS54	S5	14.250	22.560	8.310	P1356
RS999341	L1	L1	13.160	20.620	7.460	P916
RS999342	S5	S5	12.200	19.320	7.120	P1356
RS999343	L3	LS54	15.590	25.110	9.520	None
RS999344	L1	L1	14.810	23.870	9.060	None
RS999345	S4	LS23	10.750	16.210	5.460	P1192
RS999346	LS23	LS23	12.090	18.440	6.350	None
RS999347	S4	L1	10.750	16.210	5.460	P1192
RS999348	L1	L1	11.510	17.290	5.780	None
RS999349	S4	LS34	11.875	18.438	6.563	P1192
RS999350	LS82	LS82	15.160	24.350	9.190	None
RS999351	S4	L1	11.850	18.100	6.250	P1192
RS999352	S4	L3	13.220	20.970	7.750	P1192
RS999353	L3	L3	13.830	21.580	7.750	None
RS999354	S4	L3	13.800	22.150	8.350	P1192
RS999355	L3	L3	15.520	24.990	9.470	None
RS999356	S4	S4	14.230	23.620	9.390	Two P1136
RS999357	S4	L3	14.420	23.400	8.980	P1192

Specifications

All listed specifications are for convenience only and are subject to change without notice. Specifications are not intended for design of custom applications.

NOTE: Internal extension bumper may reduce perceived extended length by 1/2".
Extended and collapsed length dimensions shown for RS5000 shocks, others may vary slightly.

PART NO.	MOUNTING CODES		LENGTHS			PARTS PACK
	UPPER	LOWER	COMP.	EXT.	TRAV.	
RANCHO® RS9000XL SHOCK ABSORBERS — Continued						
RS999358	S6	LS43	11.650	17.620	5.970	P1231, P1071
RS999359	S6	LS54	14.600	23.610	9.010	P1231, P1072
RS999360	LS40	XP7	14.720	23.160	8.440	None
RS999361	LS40	LS40	14.530	22.790	8.260	None
RS999362	LS40	S51	13.680	21.280	7.600	P1356
RS999363	LS40	S51	12.580	19.070	6.490	P1356
RS999364	L1	LS82	13.625	20.750	7.125	None
RS999365	S42	LS44	14.310	22.670	8.360	P1192
RS999366	S42	LS25	12.650	19.710	7.060	P1192
RS999367	LS47	LS47	16.410	25.580	9.170	None
RS999368	S51	XP8	9.813	13.875	4.062	None
RS999377	XP15	CLEV	13.710	17.950	4.240	P1617
RS999379	LS47	LS47	15.850	25.340	9.340	None
RS999380	XP15	CLEV	16.560	23.000	6.290	P1617
RS999381	LS47	LS47	17.840	29.330	11.330	None
RS999384	LS39	LS39	17.640	28.550	10.910	None

NOTE: Internal extension bumper may reduce perceived extended length by 1/2".
 Extended and collapsed length dimensions shown for RS5000 shocks, others may vary slightly.

PART NO.	STRUT BODY TYPE	LENGTHS			PARTS PACK
		COMP.	EXT.	TRAV.	
RANCHO® RS5000 STRUTS					
RS5753	SS3	19.320	22.080	2.760	P1611
RS5754	SS3	13.520	19.390	5.870	P1611
RS5757	SS4	13.560	18.080	4.520	None
RS5758	SS2	17.760	23.520	5.760	P1167
RS5762	SS3	13.620	18.190	4.570	P1167
RS5763	SS3	13.500	16.180	2.680	P1167
RS5764	B4	9.570	13.820	4.250	None
RS5766	SS3	13.620	17.930	4.310	P1167
RS5767	SS1	17.330	21.630	4.300	P1388
RS5769	SS1	21.400	26.180	4.780	P1388
RS5770	SS3	11.040	15.810	4.770	P1167
RS5773	SS3	14.960	18.790	3.830	P1365
RS5774	SS1	15.700	20.640	4.940	P1388
RS5775	SS2	12.520	16.440	3.920	P762
RS5776	SS2	12.520	16.440	3.920	P762
RS5777	SS2	16.890	21.830	4.940	P1167
RS5784	SS7	13.840	17.680	3.840	P1426, P1415
RS5786	SS7	18.770	22.680	3.910	P1426, P1415
RS5788	SS6	15.430	21.260	5.830	P1466
RS5789	SS6	18.720	24.570	5.850	P1466
RS5791	SS3	10.800	16.550	5.750	None
RS5803	SS1	16.380	20.870	4.490	None
RS5804	SS1	17.100	21.600	4.500	None
RS5806	SS1	21.490	26.150	4.660	None
RS5808	SS6	15.430	21.260	5.830	P1500
RS5810	SS6	18.720	24.570	5.850	P1500
RS5811	B11	16.340	23.350	7.010	P762
RS5812	B11	16.340	23.350	7.010	P762
RS5813	B11	15.600	22.600	7.000	P792
RS5814	B11	15.600	22.600	7.000	P762
RS5815	B11	15.600	22.600	7.000	P762
RS5816	B11	15.600	22.600	7.000	P762
RS5817	B8	11.070	16.080	5.010	None
RS5818	SS1	16.140	21.050	4.910	P1499
RS5819	SS1	14.220	21.200	6.980	P1499
RS5820	SS4	16.660	20.840	4.180	P1611
RS5821	SS4	16.540	20.720	4.180	P1611
RS5822	SS2	13.520	19.390	5.870	P1611
RS5823	B14	14.530	21.100	6.570	P1450
RS5824	B14	14.530	21.100	6.570	P1450
RS5825	SS4	11.100	15.710	4.070	P1486
RS5826	B8	14.070	20.250	6.180	None
RS5827	SS4	10.790	14.620	3.830	P1614
RS5828	SS2	16.850	21.830	4.980	P1167
RANCHO® RS9000XL STRUTS					
RS999758	SS2	17.880	23.590	5.710	P1356
RS999762	SS3	13.730	18.290	4.560	P1356
RS999763	SS3	13.580	18.520	4.940	P1167
RS999764	B4	7.620	12.070	4.450	P1372
RS999766	SS3	13.730	18.040	4.310	P1356
RS999769	SS1	21.380	26.390	5.010	P1388
RS999771	SS3	11.010	14.800	3.790	P1356
RS999773	SS3	15.260	19.050	3.790	P1356
RS999774	SS1	15.650	20.670	5.020	P1388
RS999777	SS2	7.140	22.080	14.940	None
RS999784	SS7	13.840	17.680	3.840	P1426
RS999786	SS7	18.960	22.800	3.840	P1426
RS999787	SS3	11.050	15.060	4.010	P1356
RS999788	SS6	15.720	21.220	5.500	P1466
RS999789	SS6	18.650	24.470	5.820	P1466
RS999799	SS1	18.960	22.800	3.840	P1504, P1415, P1510
RS999802	SS2	13.400	18.700	5.300	P1356
RS999803	SS1	16.410	20.870	4.460	P1499

Specifications

All listed specifications are for convenience only and are subject to change without notice. Specifications are not intended for design of custom applications.

NOTE: Internal extension bumper may reduce perceived extended length by 1/2".
Extended and collapsed length dimensions shown for RS5000 shocks, others may vary slightly.

PART NO.	STRUT BODY TYPE	LENGTHS			PARTS PACK
		COMP.	EXT.	TRAV.	
RANCHO® RS9000XL STRUTS — Continued					
RS999804	SS1	17.130	21.600	4.470	P1499
RS999806	SS1	21.810	26.280	4.470	P1499, P1576
RS999808	SS6	14.620	21.220	6.600	P1500
RANCHO® LOADED QUICKLIFT STRUT ASSEMBLIES COMPLETE					
RS999901	SS7	13.810	18.060	4.250	P1426, P1415
RS999902	SS1	16.700	21.710	5.010	P1388
RS999903	SS1	14.670	21.600	6.930	P1388
RS999904	SS3	16.550	20.600	4.050	P1365
RS999905	SS3	13.980	19.750	5.770	P1365
RS999906	SS3	16.550	20.600	4.050	None
RS999907	SS2	14.110	18.750	4.640	P1167
RS999908	SS2	14.110	18.750	4.640	P1167
RS999909	SS1	16.700	21.710	5.010	None
RS999910	SS1	17.190	22.210	5.020	P1388
RS999911	SS1	17.130	21.600	4.470	P1356
RS999912	SS1	16.410	20.870	4.460	P1499, P1576
RS999913	SS2	17.130	22.060	4.930	P1167
RS999914	SS2	17.130	22.060	4.930	P1168
RS999915	SS2	17.130	22.060	4.930	P1169
RS999919	SS2	17.880	23.590	5.710	P1167
RS999920	SS2	17.880	23.590	5.710	P1167
RS999921	SS3	11.280	15.080	3.800	P1365
RS999922	SS3	11.050	15.060	4.010	P1167
RS999923	SS2	13.730	18.040	4.310	P1365
RS999924	SS3	17.350	22.080	4.730	None
RS999925	SS1	16.160	21.300	5.140	P1614
RS999926	SS1	15.450	21.200	5.750	P1499
RS999927	SS3	13.490	19.410	5.920	None
RS999928	SS7	13.810	18.060	4.250	P1426, P1415
RS999929	SS6	15.720	21.220	5.500	P1499
RS999930	SS6	15.720	21.220	5.500	P1499
RS999931	SS2	13.730	18.040	4.310	P1365
RS999932	SS1	16.700	21.710	5.010	P1388
RS999933	SS1	14.670	21.600	6.930	P1388
RS999934	SS3	13.980	19.750	5.770	P1365
RS999935	SS1	17.130	21.600	4.470	P1356
RS999936	SS1	16.410	20.870	4.460	P1499, P1576
RS999937	SS3	11.280	15.080	3.800	P1365
RS999938	SS3	11.050	15.060	4.010	P1167
RS999939	SS3	17.350	22.080	4.730	None
RS999940	SS1	16.160	21.300	5.140	P1614
RS999941	SS1	15.450	21.200	5.750	P1499
RS999942	SS3	13.490	19.410	5.920	None
RS999943	SS6	15.720	21.220	5.500	P1499
RS999944	SS6	15.720	21.220	5.500	P1499

Rancho® only engineers its shock absorbers for the applications listed in this catalog. Misapplication of Rancho® shock absorbers will result in reduced handling and braking ability and voids warranty. Product Specifications Subject To Change Without Notice.