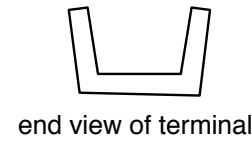


INSTALLATION INSTRUCTIONS

This system is a 12 volt system designed to work with 12 volt accessories. Any 6 volt accessories need to be converted to 12 volt before installation of the wiring. This wiring kit is designed for ease of installation. Please read the guidelines below, **BEFORE STARTING** your installation, to guarantee a successful job! Use an appropriate crimping tool which folds the crimp "wings" on the terminals as shown below. **ALL TERMINALS THAT YOU INSTALL SHOULD BE PROPERLY SOLDERED.** Our factory terminations are install by GM approved five ton presses, and soldering is not necessary on these terminations.



end view of terminal



proper crimp of terminal

wire core

STEP 1: DISCONNECT YOUR BATTERY:

Disconnect the battery before installing the wiring kit to prevent any accidental shorting caused by loose bare wire ends.

STEP 2: START INSTALLING KIT:

This kit is broken down into individual steps that are identified by a letter printed on the instruction sheets visible through each bag. These letters are the order of operation for installing your kit. Start with the bag letter "G", then "H", etc. The order of installation is shown below.

G	500559	Dash Harness Kit
H	500608	Instrument Cluster Kit
J	500551	Engine Kit
L	500558	Front Light Kit
M	500561	Rear Body Kit
N	500614	Courtesy Lamp Kit
O	500613	Wiper Kit
P	500611	Heater Kit

STEP 3: RECONNECT YOUR BATTERY:

When you have completed the installation and are ready to reconnect the battery, make sure that the following electrical system grounds are in place:

- A. Battery is grounded to the ENGINE BLOCK.
- B. Battery is grounded to the frame.
- C. Engine block is grounded to the frame.
- D. Body is grounded to the frame.
- E. RE-CHECK GROUNDS

STEP 4: CHECK ALL ELECTRICAL FUNCTIONS:

Any non-functioning items should be checked for proper installation. Any problems with your wiring and electrical circuit functions should be addressed to American Autowire Systems, Inc. as soon as possible to avoid any warranty problems.

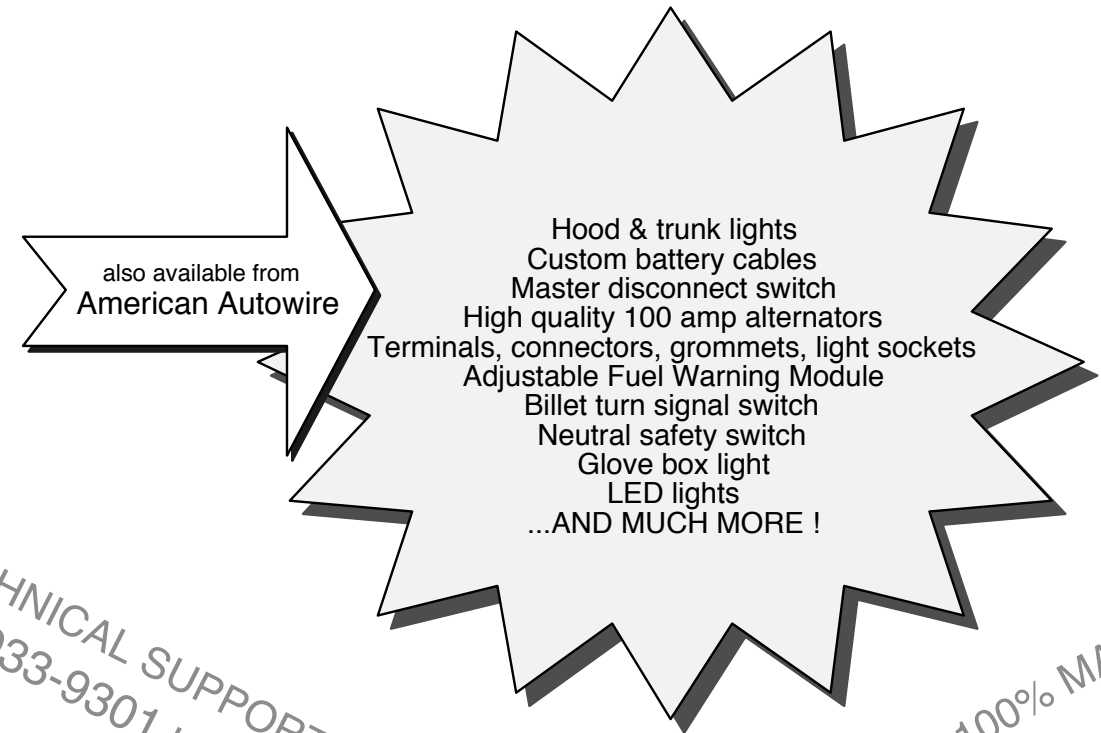
If you have any questions concerning this or any of our products, please feel free to call us at 1-800-482-WIRE.

"AMERICAN AUTOWIRE MAKES IT EASY!!!"

THIS KIT DOES NOT SUPPORT STOCK (ORIGINAL) GENERATORS. THE DESIGN OF THE KIT IS DESIGNED TO SUPPLY MORE POWER THAN THE GENERATOR IS ABLE TO SUPPLY.

START YOUR INSTALLATION HERE

Read this sheet first before starting your installation process



Hood & trunk lights
Custom battery cables
Master disconnect switch
High quality 100 amp alternators
Terminals, connectors, grommets, light sockets
Adjustable Fuel Warning Module
Billet turn signal switch
Neutral safety switch
Glove box light
LED lights
...AND MUCH MORE !

FULL TECHNICAL SUPPORT
856-933-9301 !

100% MADE IN U.S.A. !

OPTIONAL ACCESSORY KITS

Universal Relay Kit	p/n 500142	Relay control of a heavy duty circuit.
Battery Junction Block	p/n 500155	Use for joining battery power leads, or ground leads.
Circuit Breaker	p/n 500405	30 Amp auto reset.
Custom Battery Cable Kit	p/n 500424	2 gauge cable for use on side mount battery.
Fan Relay Kit	p/n 500479	Kit with relay and wiring.
Grommet Kits		OEM style firewall grommet sets available.
High Quality Temp Senders		Hotronic Temperature sending units available
Master Disconnect Switch	p/n 500003	Heavy duty battery disconnect.
Neutral Safety switch (GM)	p/n 500104	GM TH400, TH350, 700R4.
Turn Signal Switch		OEM style turn signal switches available!



**American
Autowire**

www.americanautowire.com 856-933-0801

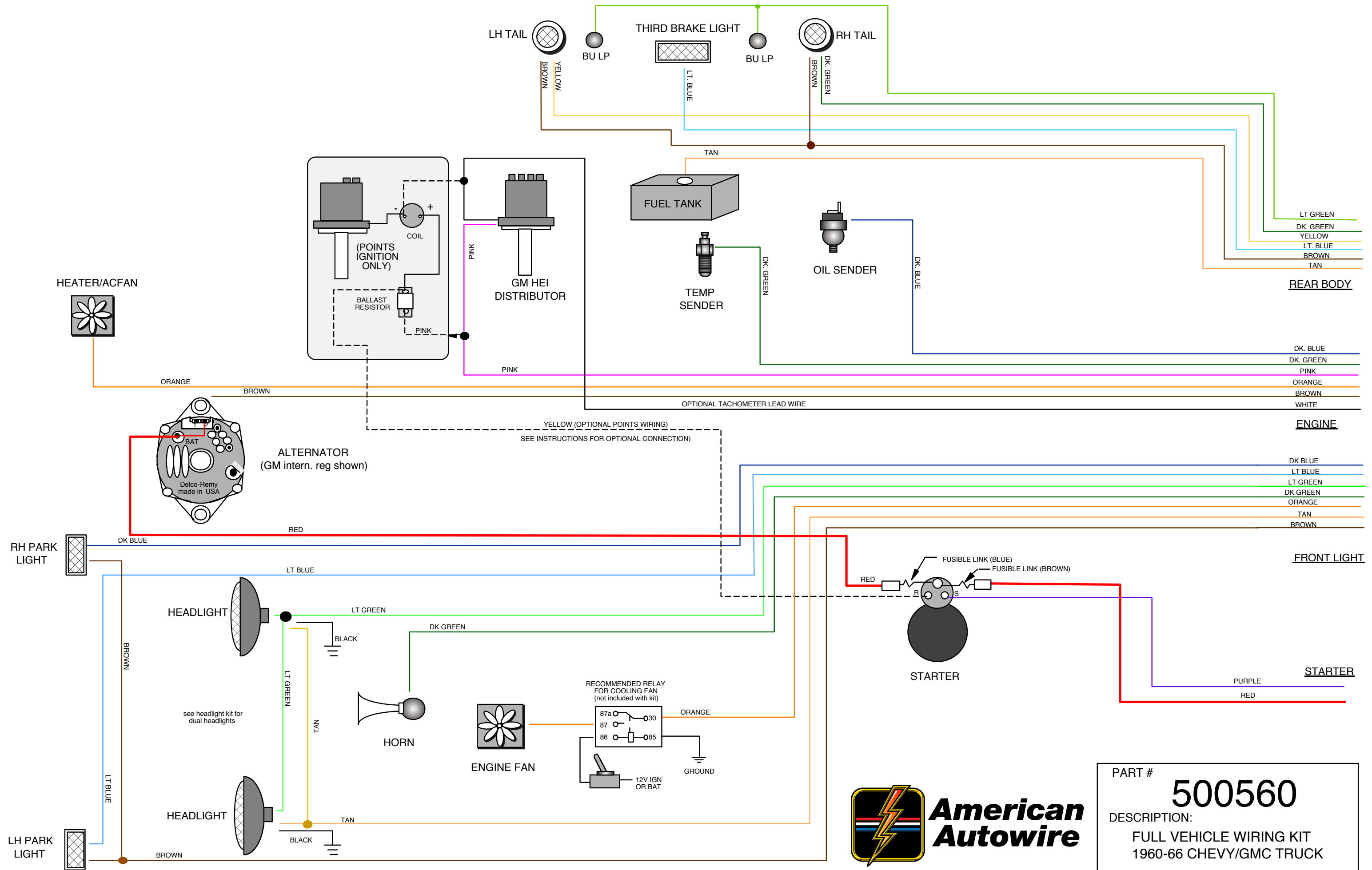
PART #

500560

DESCRIPTION:

FULL VEHICLE WIRING KIT
1960-66 CHEVY/GMC TRUCK

92965659 Instruction Sheet Rev 3.0 1/30/2013



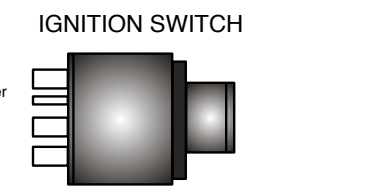
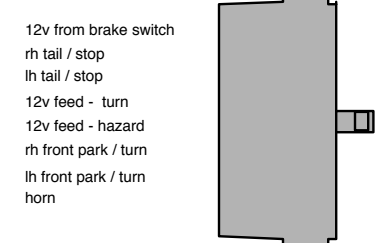
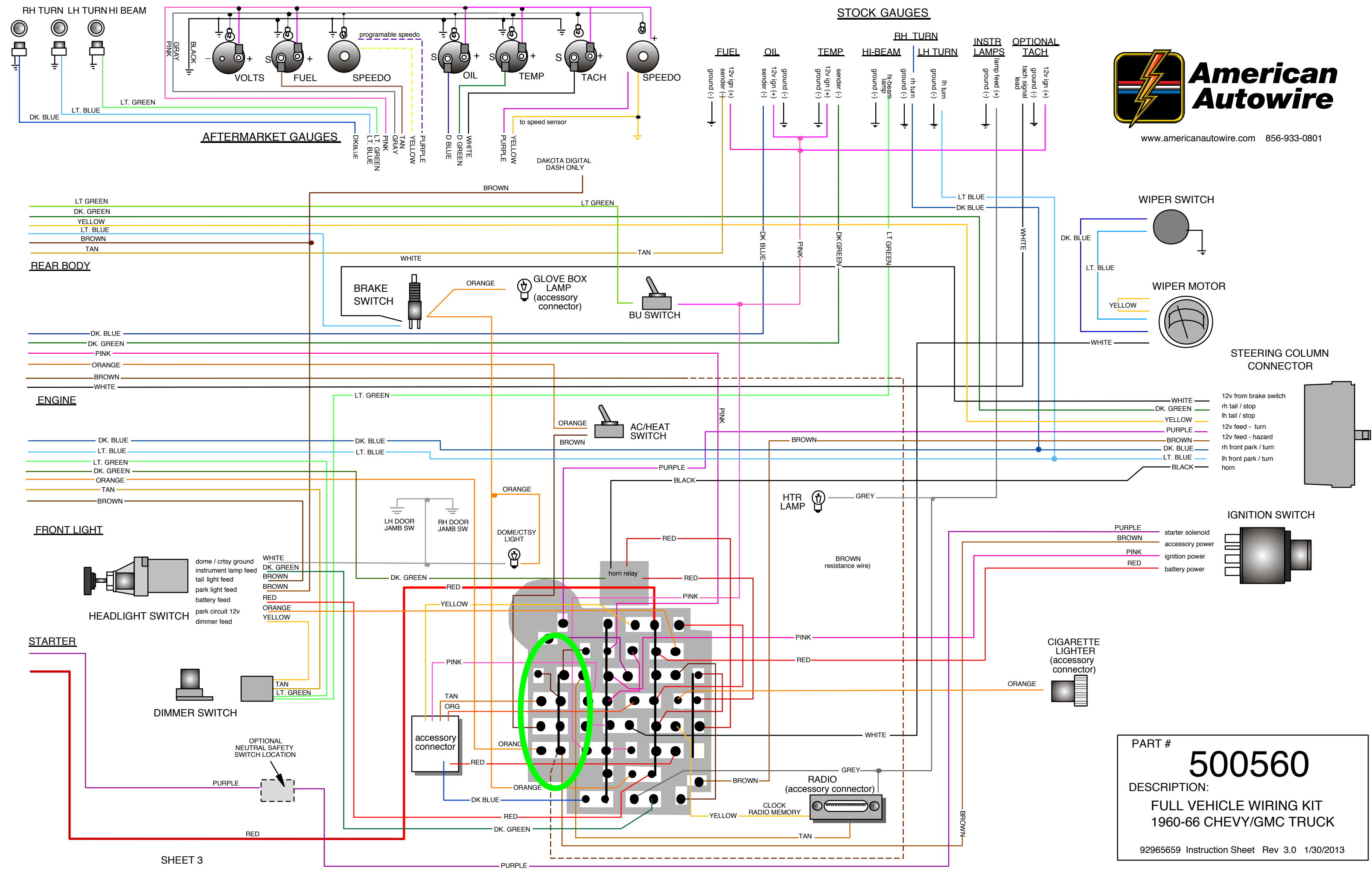
**American
Autowire**

www.americanautowire.com 856-933-0801

PART #	500560
DESCRIPTION:	FULL VEHICLE WIRING KIT 1960-66 CHEVY/GMC TRUCK
92965659 Instruction Sheet Rev 3.0 1/30/2013	



www.americanautowire.com 856-933-0801



PART # **500560**

DESCRIPTION:
FULL VEHICLE WIRING KIT
1960-66 CHEVY/GMC TRUCK

92965659 Instruction Sheet Rev 3.0 1/30/2013

THIS PAGE HAS BEEN INTENTIONALLY LEFT BLANK



PART #

500560

DESCRIPTION:

FULL VEHICLE WIRING KIT
1960-66 CHEVY/GMC TRUCK