



GENERAL PROJECT

ASSEMBLY INSTRUCTIONS

3940194

1969 TRUCK SERIES (EXCEPT G SERIES)

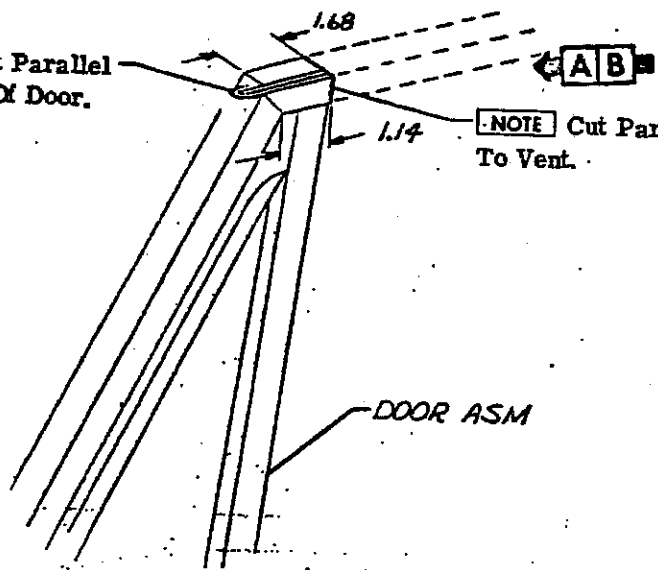
1

SCREW

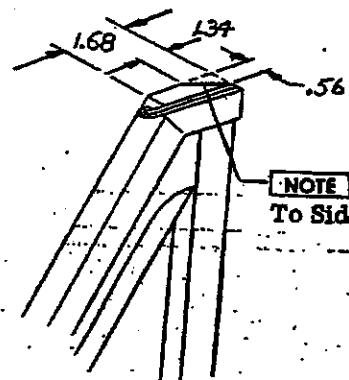
2

CAP

NOTE Cut Parallel With Top Of Door.

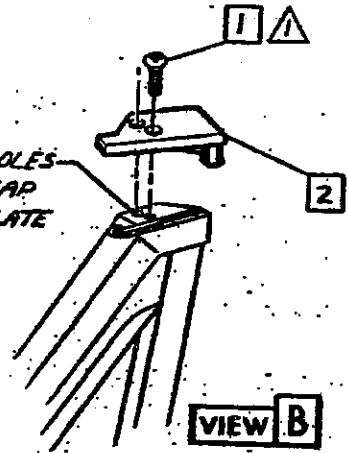


NOTE Cut Parallel To Vent.



NOTE Cut 90° To Side Of Door.

.128-.132 DIA (2) HOLES
USING CAP
AS TEMPLATE



15 - 20 LBS. IN.

General Motors

3940194

ASSEMBLY INSTRUCTIONS

3940194

1969 TRUCK SERIES (EXCEPT G SERIES)

1

RUN ASM

2

68B

CEMENT .032 OZ.

