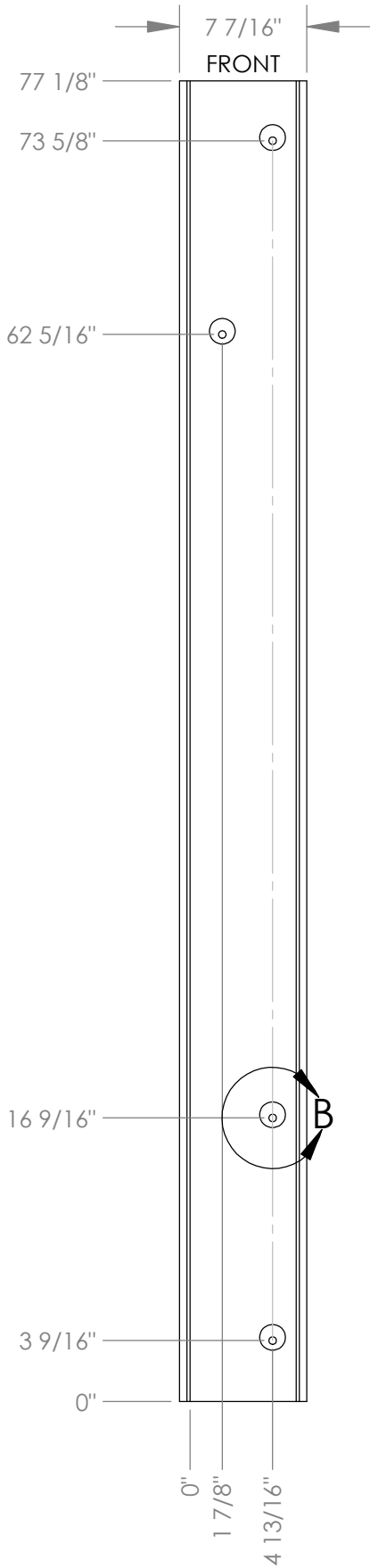


67-72 CHEVY TRUCK SHORT STEPSIDE BED WOOD

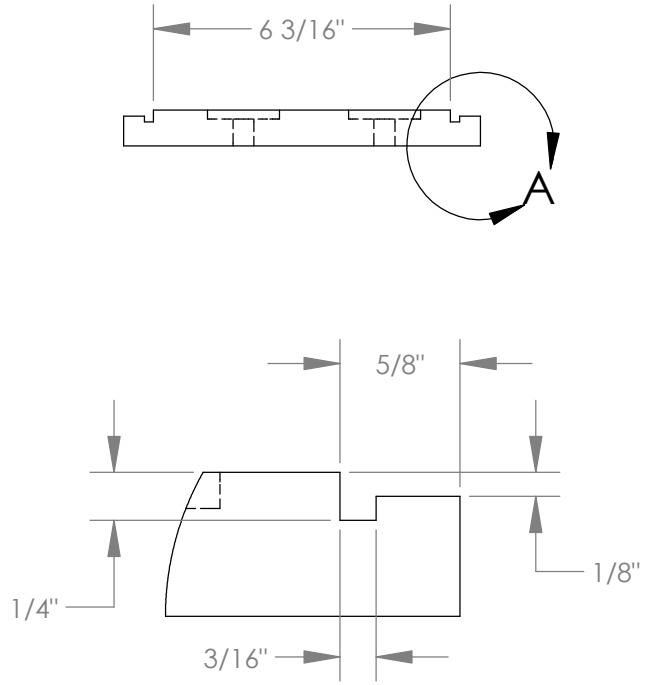
LEFT
(RIGHT IS MIRROR IMAGE)



WIDTHS

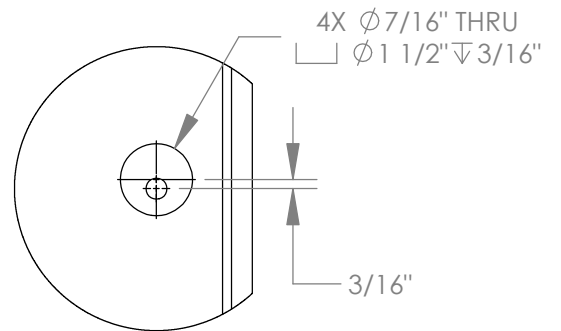
2X 3 1/8", 2 1/2" FACE, NOTCHED ONE SIDE
 2X 5-7/16", 4 3/16" FACE
 4X 7 7/16", 6 3/16" FACE, TWO GET HOLES

NOTCHES



DETAIL A
SCALE 1 : 1

HOLES



DETAIL B
SCALE 1 : 4