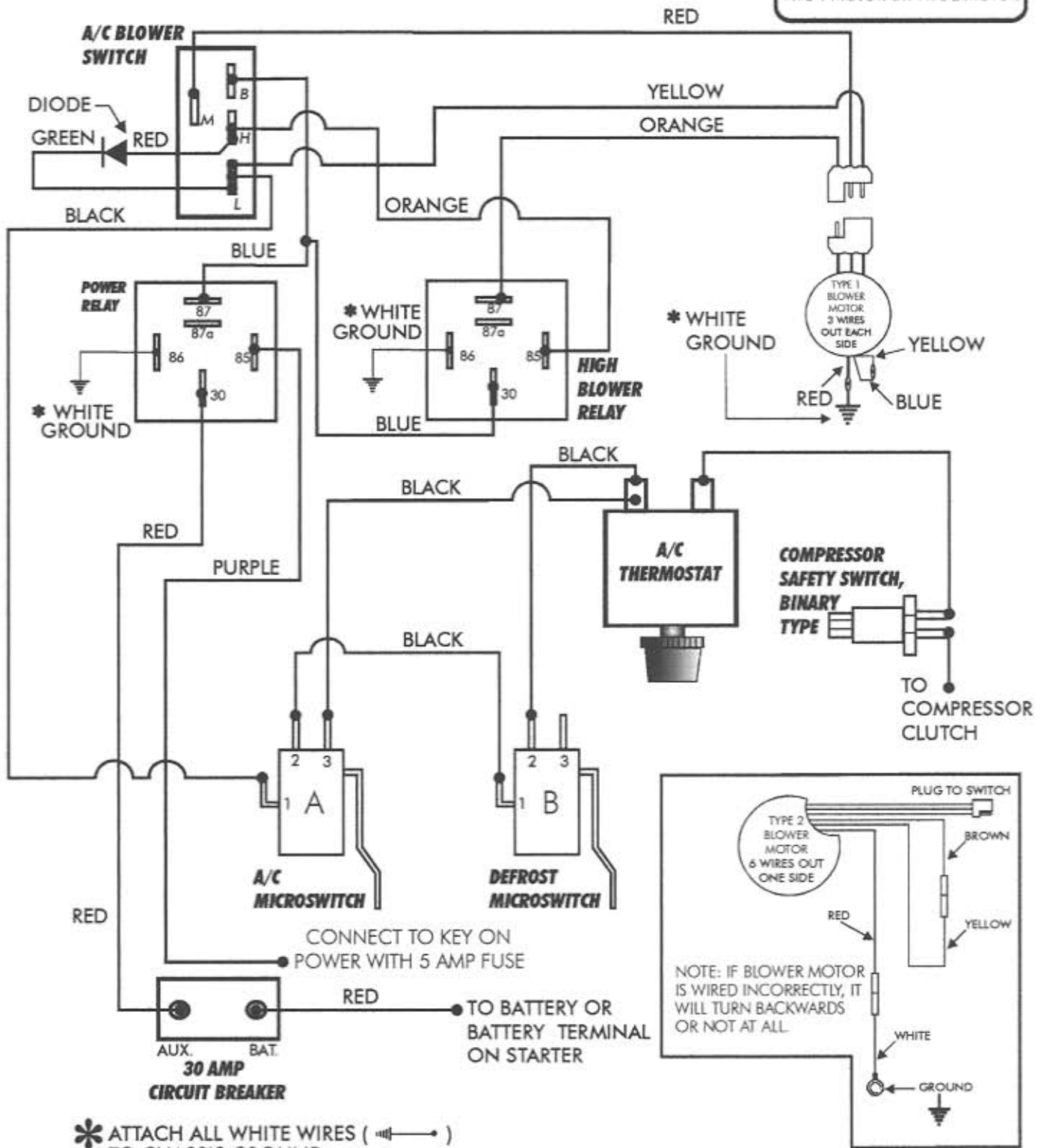


WIRING DIAGRAM

IMPORTANT NOTICE:

IDENTIFY YOUR BLOWER MOTOR BEFORE WIRING
TYPE 1 MOTOR OR TYPE 2 MOTOR



* ATTACH ALL WHITE WIRES (———) TO CHASSIS GROUND.