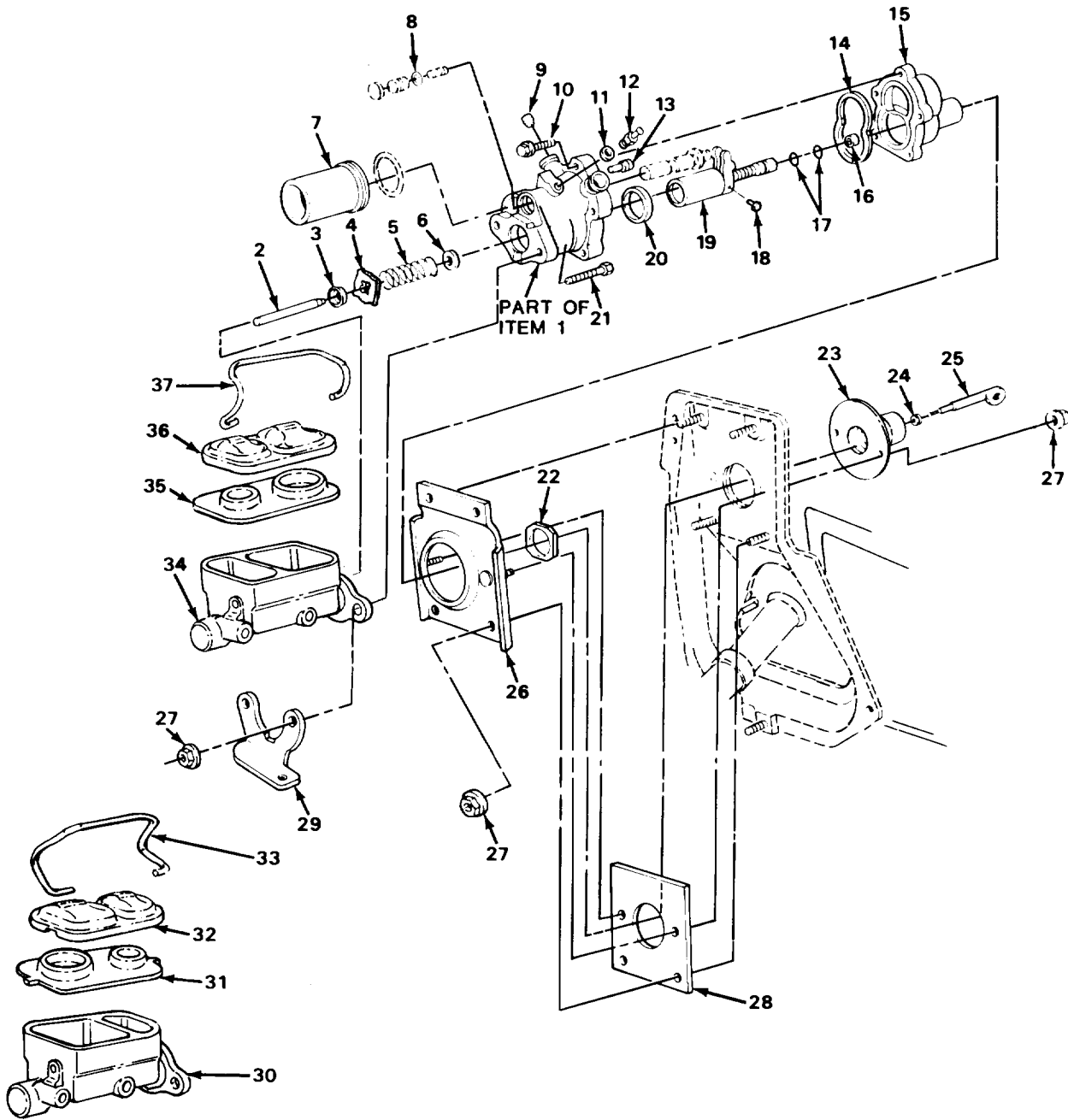


1	30	34
2 THRU 26	31 THRU 33	35 THRU 37



TA510924

FIGURE 117. POWER BOOSTER AND MASTER CYLINDER ASSEMBLIES.