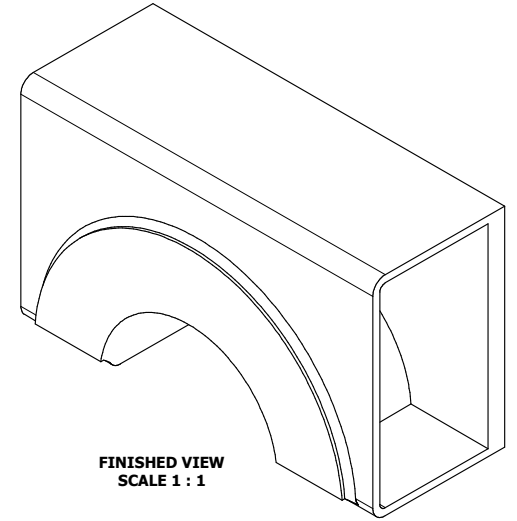
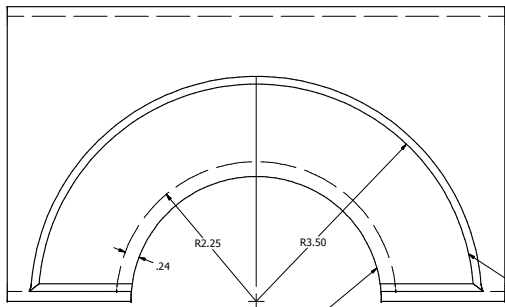


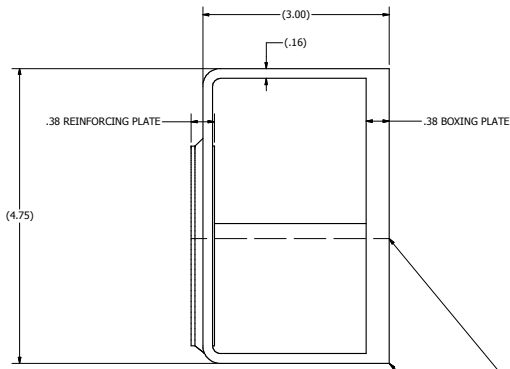
**FRAME PREP DETAIL
SCALE 1 : 1**



**FINISHED VIEW
SCALE 1 : 1**

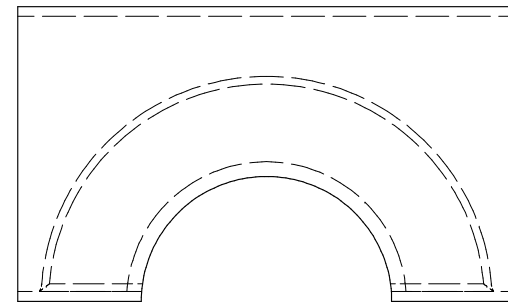


FULL PENETRATION
PIPE NOTCH TO REINFORCING PAD
AND REINFORCING PAD TO FRAME BOTTOM FLANGE



FULL PENETRATION
REINFORCING PLATE TO FRAME SIDE RAIL

FULL PENETRATION
BOXING PLATE TO FRAME FLANGE
TYP. 2X



FULL PENETRATION
PIPE NOTCH TO BOXING PLATE

DRAWN John	3/29/2010		Patriot Drafting and Design	
CHECKED		TITLE		
QA		SIZE	D	REV 0
MPG		SCALE		
APPROVED		DWG NO		
		SHEET 1 OF 1		