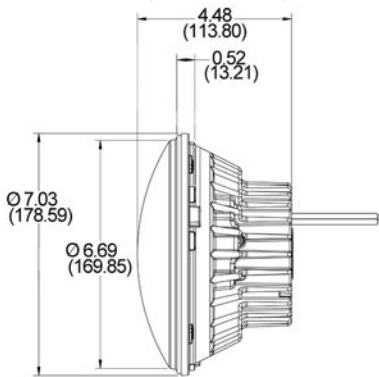




Model 8700 Driving Beam (left) and High/Low Beam (right) LED Headlights



Dimensions in inches (mm in parentheses).
Dimensions are for reference only.

Product List

Model Number	Description
8700-12/24V	12-24V LED High/Low Beam Headlight
8700-12/24V	12-24V LED Driving Beam (High Only) Headlight

Features & Benefits

- 1,900 Raw Lumens; 950 Effective Lumens
- Available in a 12-24V DC configuration
- High/low beam version (black reflector) or high beam only version (chrome reflector) available
- Right-hand and left-hand traffic configurations of high/low headlamp available
- Durable glass lens stands up to harsh environmental conditions
- Rugged solid state LEDs can withstand shock & vibration
- Long-lasting LEDs mean never having to replace another bulb again!
- Die-cast aluminum housing provides maximum protection
- Retrofits type 2D1 "PAR56" sealed beams
- Also available in a variety of mounting assembly configurations:
 - Headlight in point mount chrome bucket assembly (Model 8701)
 - Headlight with side mount bucket assembly (Model 8702)
 - Headlight with motorcycle ring kit assembly (Model 8703)

General Specifications

Lens Material :	Glass
Warranty:	4-year Limited Warranty
Housing Material :	Die-Cast Aluminum
Mounting :	Replaces PAR56
Mating Connector:	H4 Plug Adaptor; Stripped Wires; Military Plugs

Technical Specifications

High/Low Beam Version	Driving (High Only) Beam Version
12-24V DC Input	12-24V DC Input
2.500 Amps @ 12V DC	2.500 Amps @ 12V DC
1.300 Amps @ 24V DC	1.300 Amps @ 24V DC
Raw Lumen Output: 1,350 (Low Beam); 1,350 (High Beam)	Raw Lumen Output: 1,900
Effective Lumen Output: 650 (Low Beam); 760 (High Beam)	Effective Lumen Output: 950

Standards Compliance

DOT Approved	FMVSS 108
CMVSS 108	Buy America Compliant
ECE Reg. 112 (ECE Versions)	MIL-STD-461 (Military Versions)
Sealed to IP67	

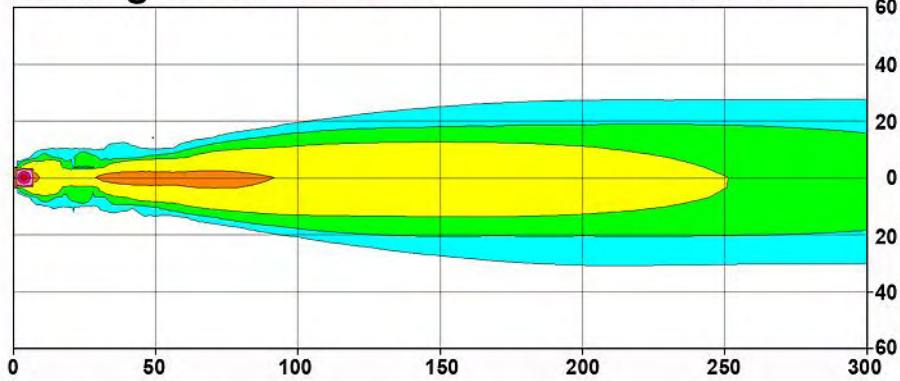
Applications

Agricultural	Construction	Fire & Rescue
Forestry	Industrial	Law Enforcement
Lawn & Garden	Military	Mining
Off-Highway	On-Highway	Recreational
Specialty Trucks	Utility	

Model 8700

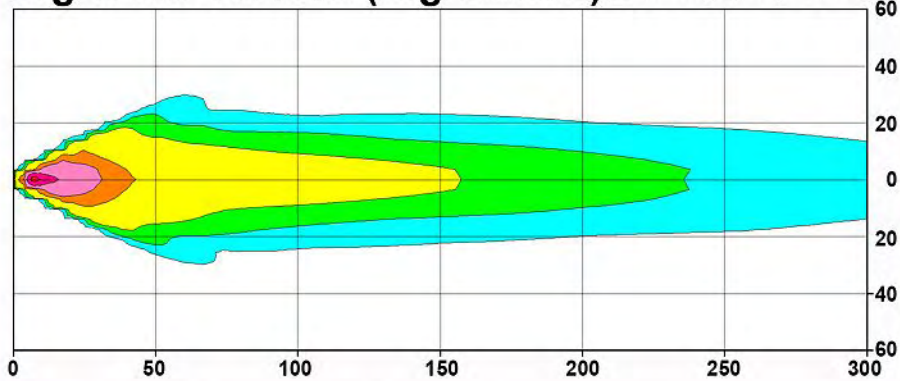
Driving Beam Version

(1.0m high, -0°) 72 Max.



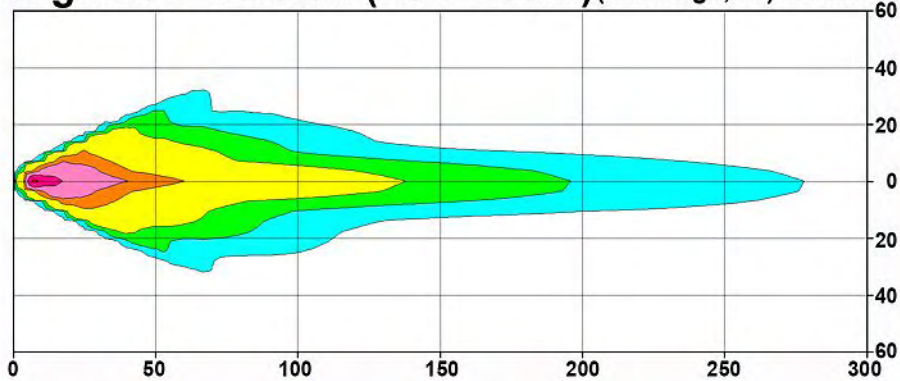
High/Low Version (High Beam)

(1.0m high, -0°) 68 Max.



High/Low Version (Low Beam)

(1.0m high, -0°) 60 Max.

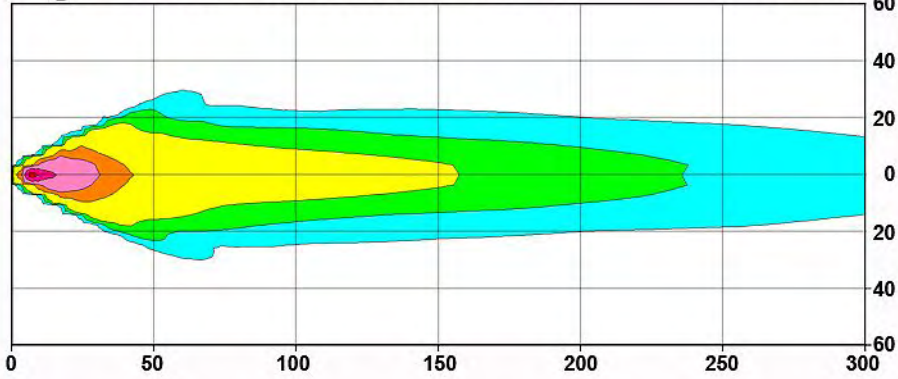


0.25 0.50 1.0 5.0 10 25 50 Lux

Model 8700 High/Low

High Beam Pattern (1.0m high, -0°)

68 Max.



Low Beam Pattern (1.0m high, -0°)

60 Max.

