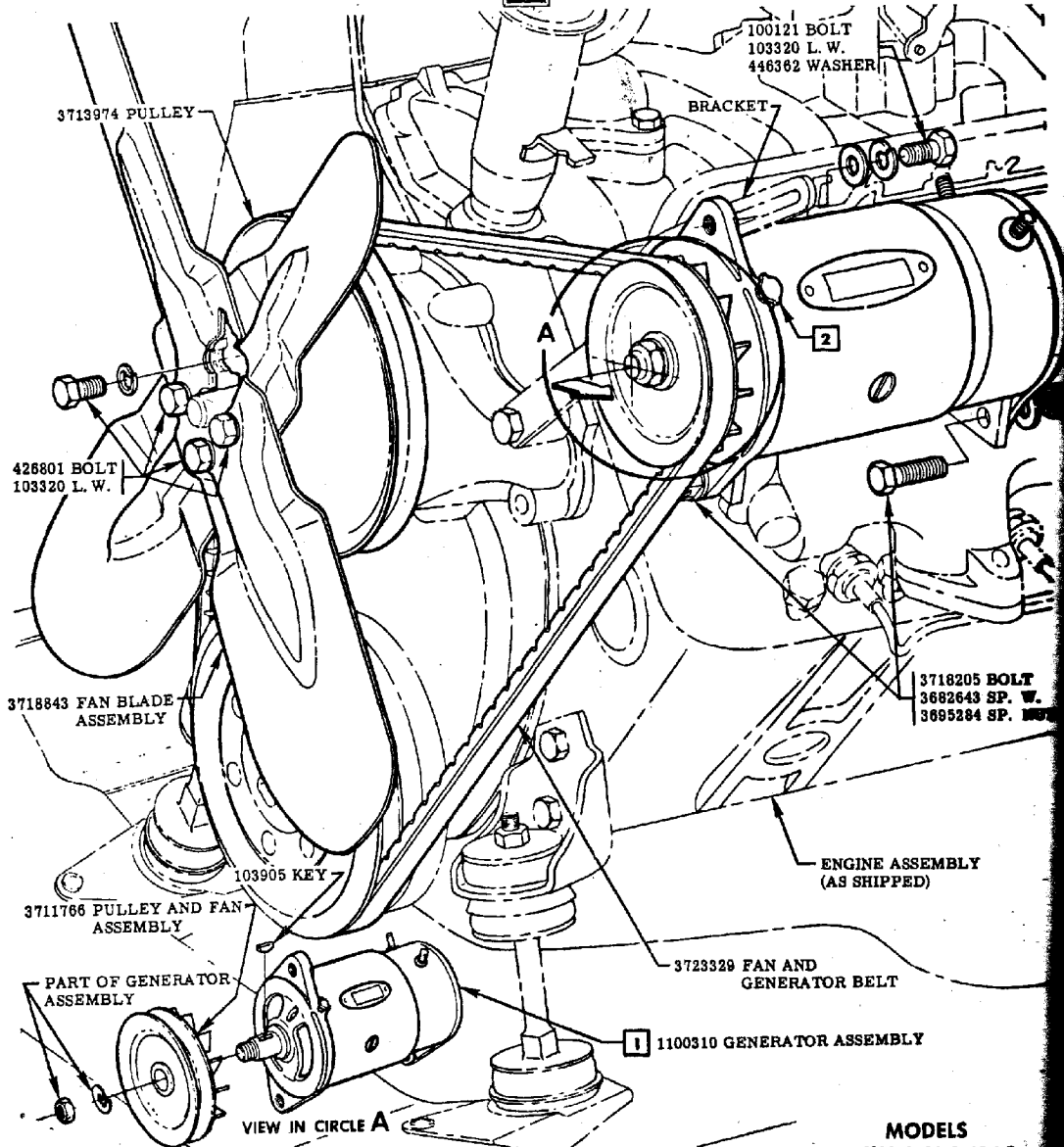


CHEVROLET MOTOR DIVISION



GENERAL MOTORS CORPORATION



2 SEE LUBRICATION INSTRUCTION SECTION 14

1 FAN BELT TO BE TIGHTENED TO A LOAD OF 75 LBS. TO BE APPLIED AS PER ARROW IN CIRCLED AREA A

V-8 ENGINE INSTRUCTION

MODELS

3100 3204 3600 L.B.

							NAME				TRUCK INSTRUCTION MANUAL					
							REF.		DRAWN		CHECKED		R.P.O.		SP. W.	
							8824		J. S.		L. B.		408		10.0	
							DATE		PART No.							
DATE	SYM.	REVISION RECORD			AUTH.	DR.	CK.	5-4-55		3720900						