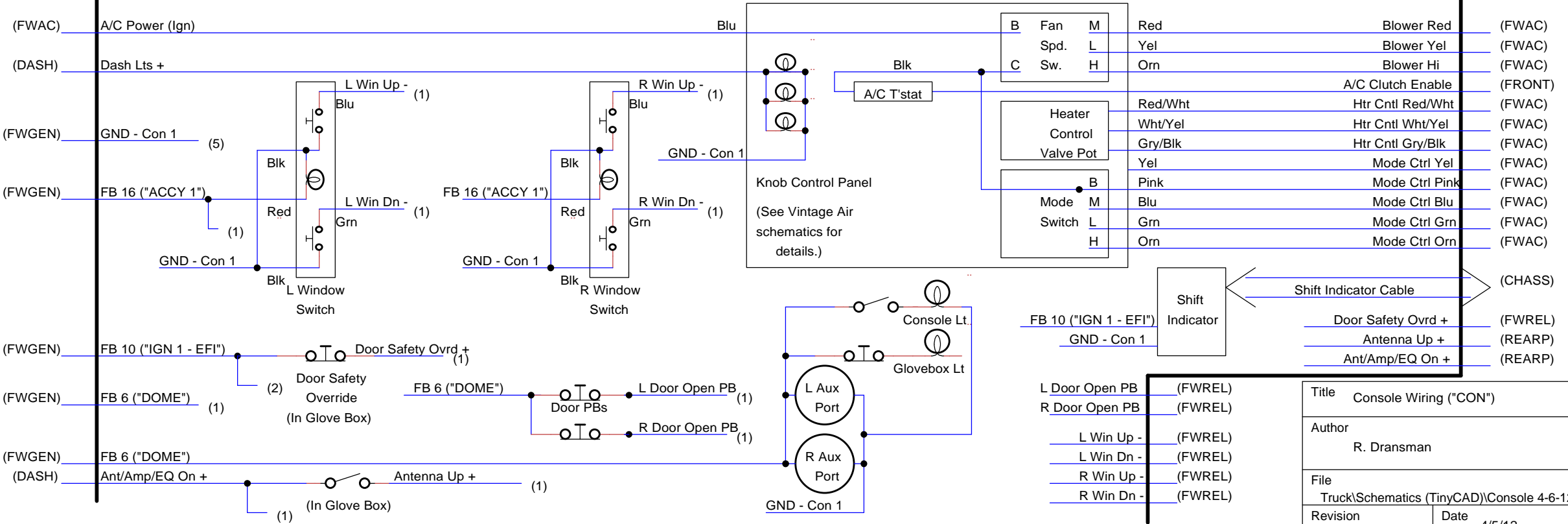


CONSOLE WIRING ("CON")

(REARP)	GND - Bat	#4	GND - Bat	(FWGEN)
(REARP)	Radio/DVD Mem +		Radio/DVD Mem +	(DASH)
(REARP)	+12V Cranking	#4	+12V Cranking	(ENG)
(REARP)	Fusebox Power	#8	Fusebox Power	(FWGEN)
(FWGEN)	GND - Amp	#4	GND - Amp	(REARP)
(REARP)	L Kick & Door Chan Out (SPKR)		L Kick & Door Chan Out (SPKR)	(DOOR)
(REARP)	R Kick & Door Chan Out (SPKR)		R Kick & Door Chan Out (SPKR)	(DOOR)
(REARP)	Ctr Chan Out (SPKR)		Ctr Chan Out (SPKR)	(DASH)
(ENG)	Alt +12V Nom		Alt +12V Nom	(REARP)
(DASH)	Kick & Door Chan to Amp (RCA)		Kick & Door Chan to Amp (RCA)	(REARP)
(DASH)	Ctr Chan to Amp (RCA)		Ctr Chan to Amp (RCA)	(REARP)
(DASH)	Sub-woofer Chan to Amp (RCA)		Sub-woofer Chan to Amp (RCA)	(REARP)
(FWGEN)	FB 14 ("ACCY 2")	Red	FB 14 ("ACCY 2")	(REARP)
		(Antenna Power)		
(FWGEN)	GND - Rear Panel 1	Blk	GND - Rear Panel 1	(REARP)
(REARP)	+12V - A/C	Red	+12V - A/C	(FWAC)
(REARP)	Antenna Cable	Blk	Antenna Cable	(DASH)



B	Fan	M	Red	Blower Red	(FWAC)
	Spd.	L	Yel	Blower Yel	(FWAC)
C	Sw.	H	Orn	Blower Hi	(FWAC)
				A/C Clutch Enable	(FRONT)
			Red/Wht	Htr Cntl Red/Wht	(FWAC)
			Wht/Yel	Htr Cntl Wht/Yel	(FWAC)
			Gry/Blk	Htr Cntl Gry/Blk	(FWAC)
			Yel	Mode Ctrl Yel	(FWAC)
			Pink	Mode Ctrl Pink	(FWAC)
			Blu	Mode Ctrl Blu	(FWAC)
			Grn	Mode Ctrl Grn	(FWAC)
			Orn	Mode Ctrl Orn	(FWAC)

Title Console Wiring ("CON")		
Author R. Dransman		
File Truck\Schematics (TinyCAD)\Console 4-6-12.dsn	Document 2 of 13	
Revision 1.0	Date 4/5/12	Sheets 1 of 1

L Door Open PB	(FWREL)
R Door Open PB	(FWREL)
L Win Up -	(FWREL)
L Win Dn -	(FWREL)
R Win Up -	(FWREL)
R Win Dn -	(FWREL)