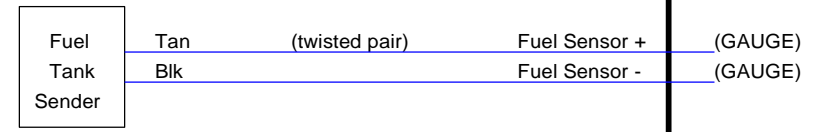
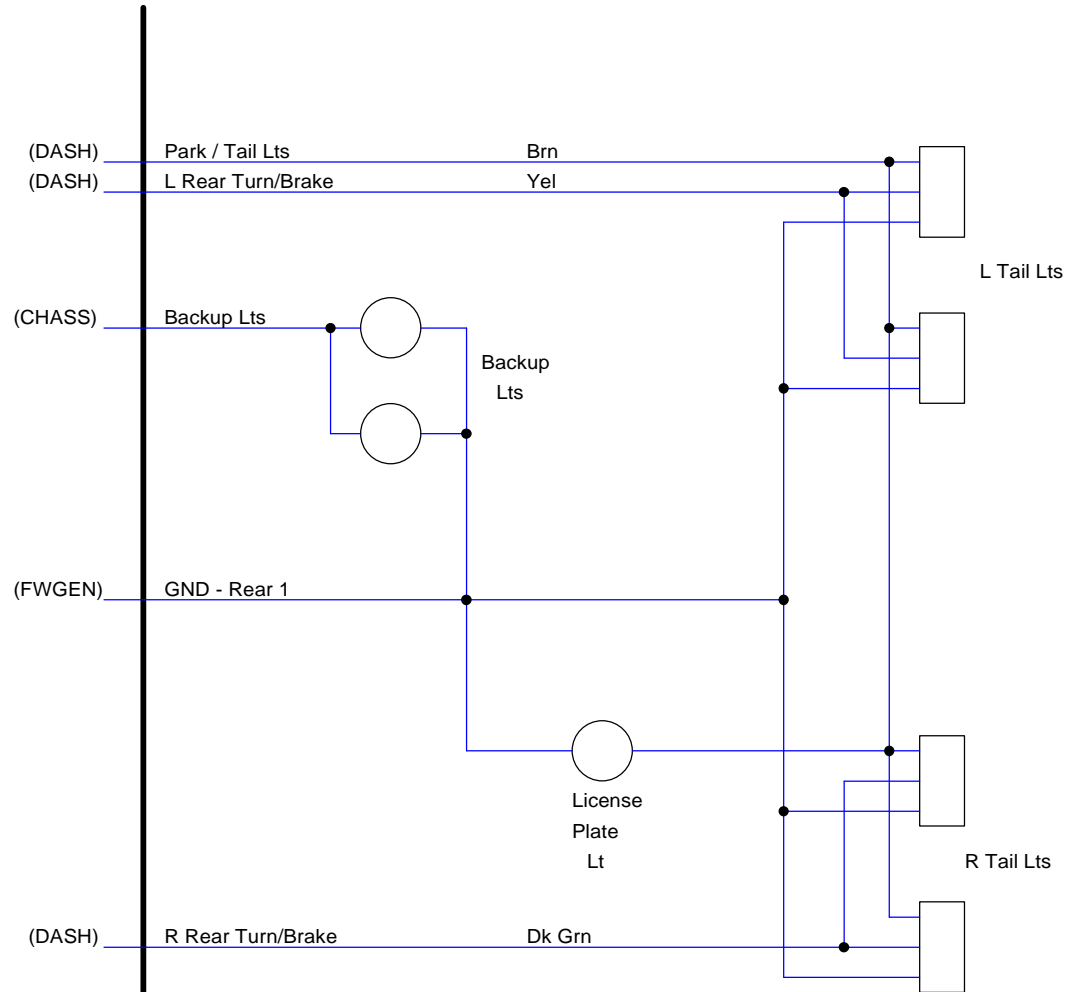


REAR END WIRING ("REAR")



Title Rear End Wiring ("REAR")		
Author R. Dransman		
File r:\Schematics (TinyCAD)\Rear_End 4-9-12.dsn	Document 11 of 13	
Revision 1.0	Date 4/5/12	Sheets 1 of 1